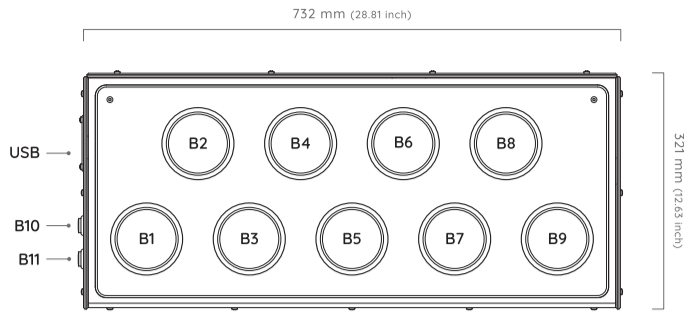
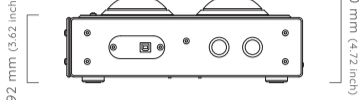


Thank you for buying POPOLLER. Please read this manual carefully before use it.



## Item list

- POPOLLER Game Controller ..... 1
- Instruction manual ..... 1
- USB-A to USB-B Cable ..... 1



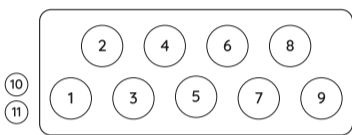
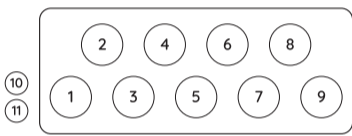
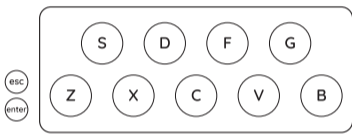
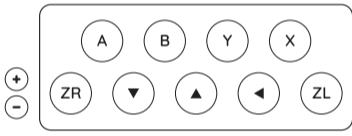
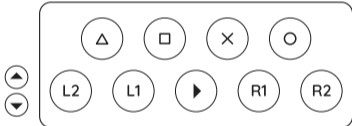
## The function

Press the combination keys at the same time and hold them for more than 1 second, the light corresponding to the layout flashes, indicating that the switch is successful.

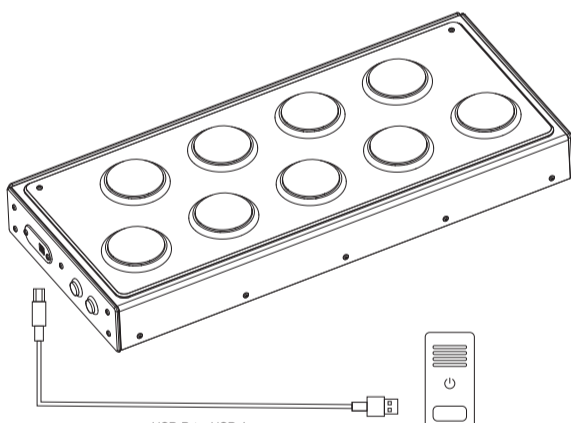
- B10 + B11 + B1** Default layout
- B10 + B11 + B2** HID layout
- B10 + B11 + B3** KEYBOARD layout
- B10 + B11 + B4** Project DIVA layout
- B10 + B11 + B5** Steam layout
- B10 + B11** Show current layout

More functions may be added in the future, please follow on [Twitter @GamoTwo](#).

## The layout

<p><b>B10 + B11 + B1</b></p> 	<p><b>Default layout</b></p> <p>Default layout support <b>Pop'n music Lively</b> perfectly. Plug and play. No need to set up.</p> <p>Please switch to this layout before starting the game, or the controller may not be recognized.</p>
<p><b>B10 + B11 + B2</b></p> 	<p><b>HID layout</b></p> <p>Support <b>HID light</b>, <b>BMS</b>, and any game program that supports gamepad.</p>
<p><b>B10 + B11 + B3</b></p> 	<p><b>KEYBOARD layout</b></p> <p>Any game that supports keyboard.</p>
<p><b>B10 + B11 + B4</b></p> 	<p><b>Project DIVA layout</b></p> <p>If playing Project DIVA on Nintendo Switch with POPOLLER, please turn on <b>SWITCH PRO</b> support on <b>SWITCH</b> config.</p> <p>If playing Project DIVA on Steam with POPOLLER, please turn on <b>SWITCH PRO</b> support in Steam config and download <b>SEGA</b> key config.</p> <p>※ Does not support <b>Playstation4</b>.</p>
<p><b>B10 + B11 + B5</b></p> 	<p><b>Steam layout</b></p> <p>This layout is recommended if playing <b>DJMAX RESPECT</b> and <b>EZ2ON</b> on <b>Steam</b>.</p>

## Connection



### CAUTION

- ※ 1. **USB-HUB** is not recommended. If necessary, please use **USB-HUB** with independent power supply.
- ※ 2. It is recommended that the **USB-B** cable should be connected to the **USB A** connector on the computer motherboard.
- ※ 3. The power consumption of this product is within **300mA** (excluding **RGB** lights ). Most **USB2.0** interfaces can provide at least **350mA** current. If POPOLLER does not work properly, please connect the **USB-B** cable to the **USB** interface on the back of the **PC** motherboard, where sufficient current supply will be provided.

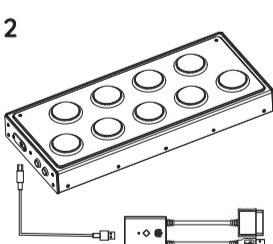


For the latest firmware update, please visit: [dj-dao.com/en/support](http://dj-dao.com/en/support)

## Using POPOLLER on PlayStation 2

Please buy **USB to PlayStation 2** adapter converter **BE2PS** produced by **GAMO2**.

- ① Press the combination keys **B10+B11+B1** for more than 1 second. If the light flashes, the switch is successful.
- ② Connect **USB** with **BE2PS**.
- ③ Connect **BE2PS** with **PlayStation 2**.
- ④ Done.



**Warranty period: 180 days from delivery date**


**Our company warrant that we will comply with this aftermarket terms, and it doesn't cover the accessories of this product.**

- Within 1-7 days, whatever problem happens, our company will provide free maintenance, free replacement, and bear the shipping cost.
- Within 8-30 days, only in the case of normal use, we will provide free maintenance, free replacement. The shipping cost will be born by the customer.
- Within 31-180 days, we will provide technical support via email, and free maintenance. The cost for replacement and shipping need to be born by the customer.
- If it were beyond 180 days, we only provide technical support via email. The other cost need to be born by the customer.

**This warranty doesn't cover following cases, and our company will provide paid maintenance service.**

- Doesn't provide order number when asking for maintenance.
- Second-hand products.
- The failure/damage caused by fire, earthquake, flood, public nuisance, lightning strike, salt injury and the other natural disasters.
- The failure/damage caused by dropping or impacting this product during the shipment, movement.
- The failure/damage caused by wrong connection method, or the operation not in accordance with the guide.
- The failure/damage caused by the operation not in accordance with the notices.
- The failure/damage caused by unauthorized modification.

 [@gamotwo](#)

 [sales@gamo2.com](mailto:sales@gamo2.com)